

SCTE CABLE-TEC
EXPO'13
OCTOBER 21-24 / ATLANTA, GA

DOCSIS PRE-EQUALIZATION: VASTLY POWERFUL, OFTEN UNDERVALUED

Brady Volpe

President & CTO

The Volpe Firm, Inc.

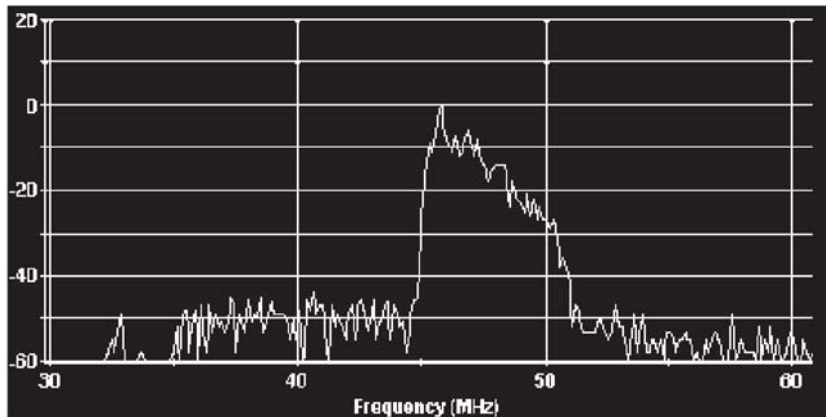
Tweet about today's session on Twitter  **#scteExpo**

expo.scte.org

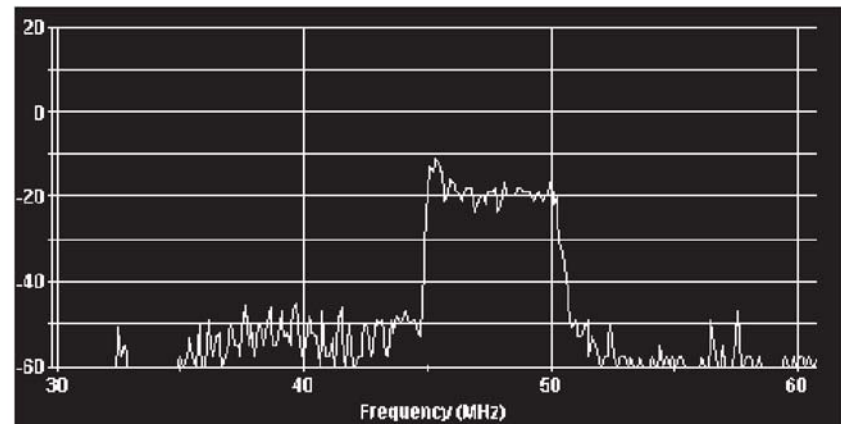
What is DOCSIS Pre-Equalization

- ▶ Feature in Cable Modems (CM)
 - Pre-distorts upstream signal to compensate for RF impairments
 - Signals arrives at CMTS nearly unimpaired

Roll-off Due to Diplex Filter (at CMTS)



Pre-EQ Adjusts CM Output (at CMTS)

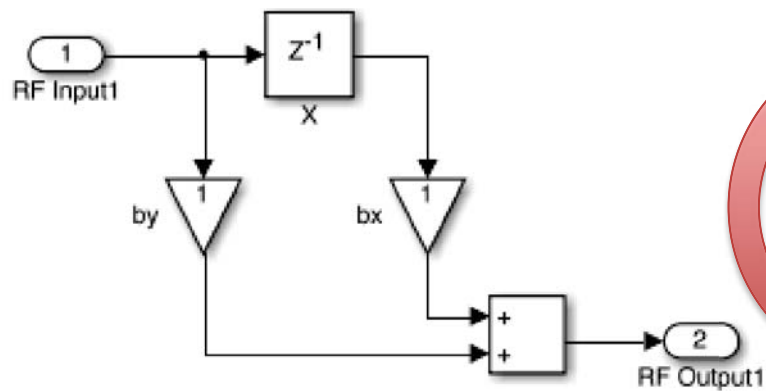


What Else Can We Do with Pre-EQ?

- ▶ We Can Examine the Pre-EQ Coefficients
 - We will turn these into taps
- ▶ Looking at These Coefficients Tells Us Many Things:
 - Frequency response of RF plant between CM & CMTS
 - Distance to impairment (in feet or meters)
 - Often type of impairment
 - Correlate many CMs to get very accurate
 - Collect Coefficients over time



A Tap is not a Tap

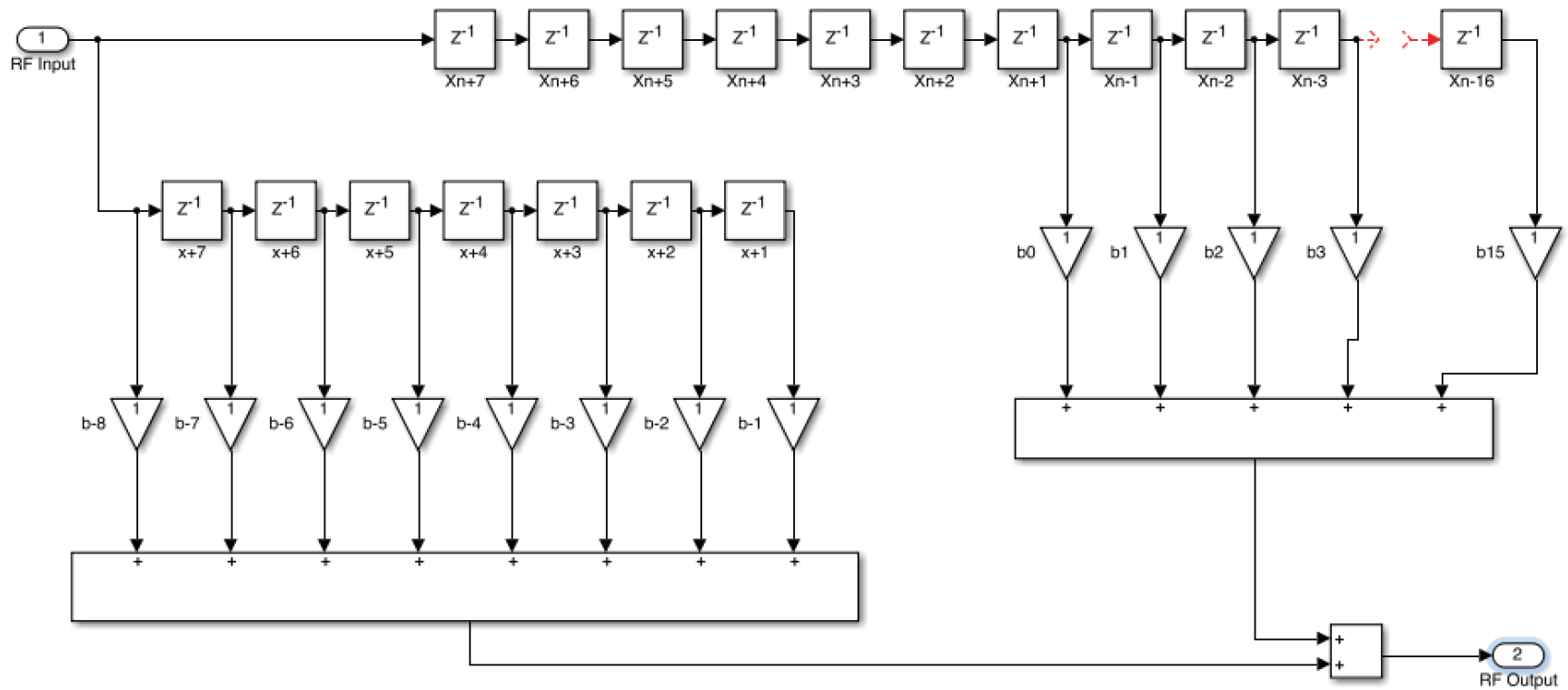


Pre-EQ Taps are Signal Processing

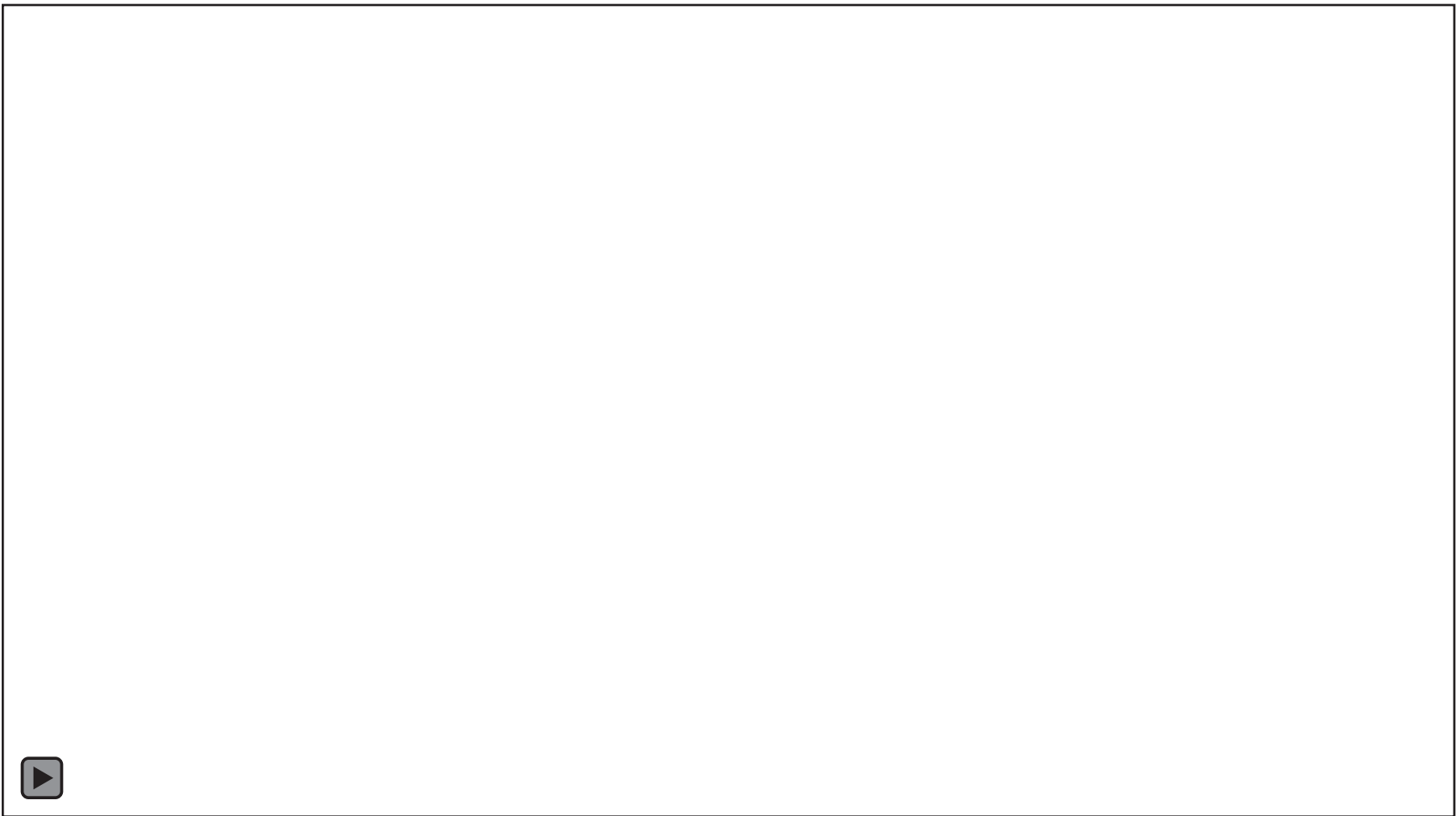
Mainline Taps are Physical, Used for Drops



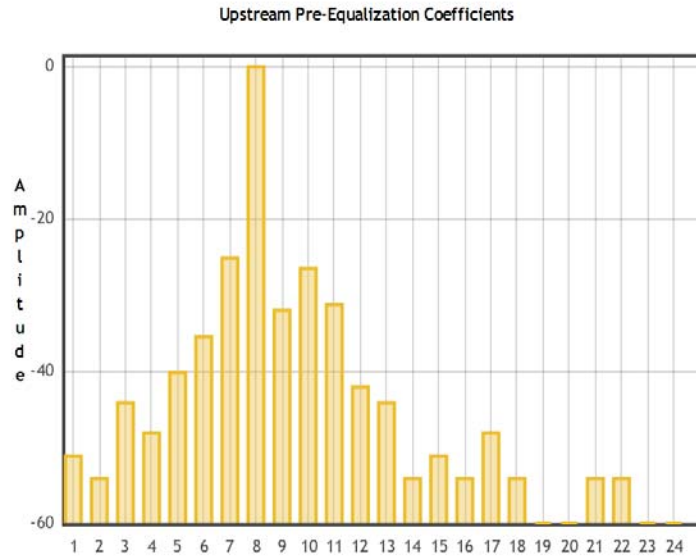
24 Tap DOCSIS Cable Modem



CM Pre-Equalization Demo



Equalizer Coefficients in Practice



Summary

- ▶ DOCSIS Pre-Equalization Available In All CMTS
 - Recommended in v2.0 and higher Cable Modems only
- ▶ Applications Leveraging Pre-EQ will Change Maintenance Practices
 - Reduce maintenance costs, improve efficiencies
 - Improve subscriber quality of experience
- ▶ Combined with Full-Band Capture Provides a Comprehensive Echo System





SCTE CABLE-TEC
EXPO'13
OCTOBER 21-24 / ATLANTA, GA

Brady Volpe

brady.volpe@volpefirm.com

volpefirm.com

[@volpefirm](https://twitter.com/volpefirm)



Tweet about today's session on Twitter  [#scteExpo](https://twitter.com/#scteExpo)

expo.scte.org