

SCTE ISBE CABLE-TEC
EXPO'16

SEPTEMBER 26-29 PHILADELPHIA

Programming Your Cloud Via Automation

Bill Coward

Sr. Strategic Architect

Cox Communication, Inc.



 #CableTecExpo

Essential Knowledge for Cable Professionals™

© 2016 Society of Cable Telecommunications Engineers, Inc. All rights reserved.

Cloud Automation, The Problem

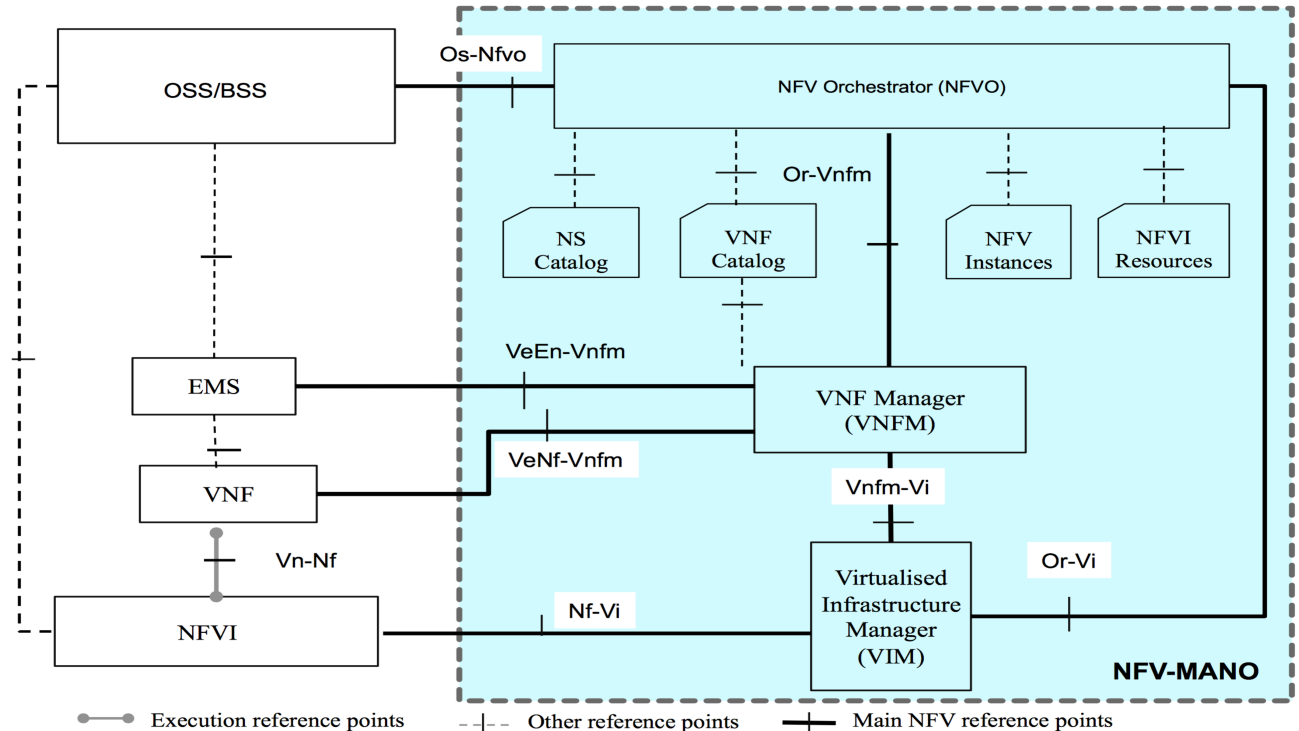
- Complex Application, Services and Content
- Support Resources Increase
- Opex drives cost, price Innovation suffers
- Enable Resources, stabilizes Opex

Cloud Automation Opportunities

- Network & NFV Provisioning
- Service Assurance / Birth Certificate
- Service Fulfillment / Activation
- Atomic NFVI Proactive Faults
- NFV Service Chain Remediation
- Customer Self-Serve Portal
- Service Level Agreements Reporting & Compliance
- Security Response

NFV Management and Orchestration

- MANO

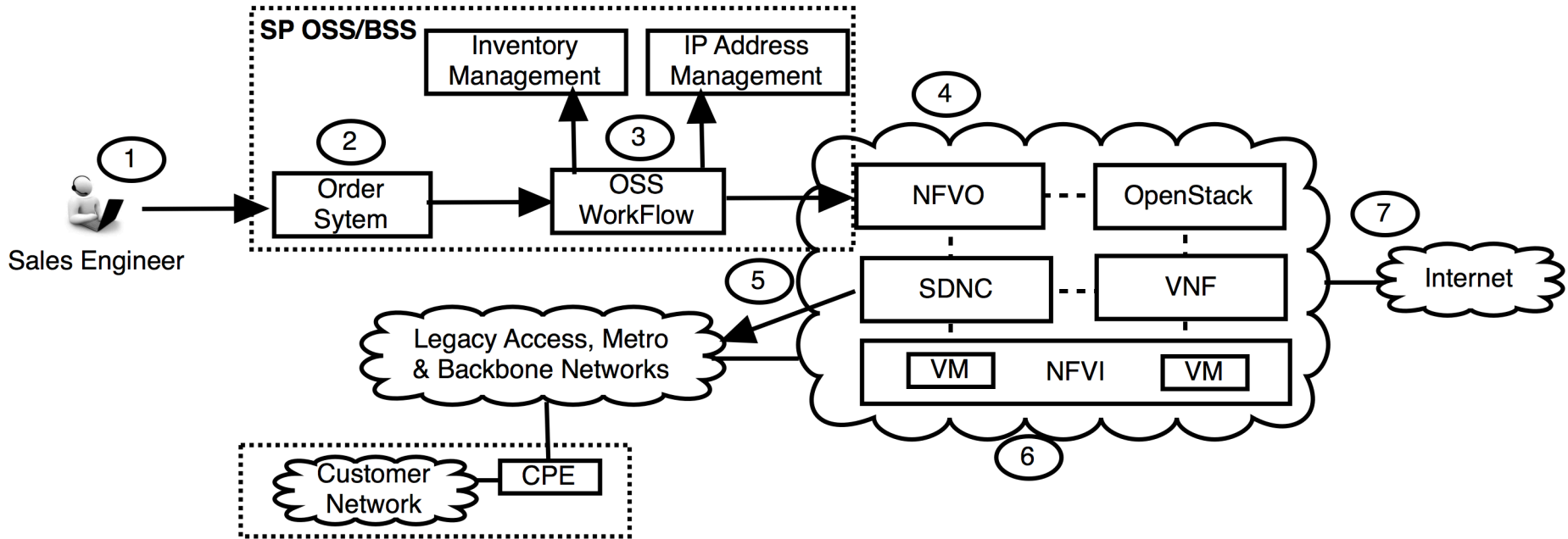


Automation Tools

- Open Source
 - Open Orchestrator (Open O)
 - Open Source MANO (OSM)
 - Chef, Puppet, Salt, Ansible
 - Tacker, Heat, Ironic, Magnum
- Proprietary
 - Contrail Service Orchestrator (CSO)
 - Blue Planet Orchestrator (BPO)
 - NetCracker Service Orchestrator (NSO)

Automation Use Case

- Provisioning...



Automation Experience @ Cox

- Current Efforts
- Evaluation Process
- Cloud Design, Labs, Teams
- Decisions, Lessons & Knowledge

SCTE ISBE CABLE-TEC
EXPO'16

SEPTEMBER 26-29 PHILADELPHIA

Bill Coward

bill.coward@cox.com



 #CableTecExpo

Essential Knowledge for Cable Professionals™

© 2016 Society of Cable Telecommunications Engineers, Inc. All rights reserved.