



***Society of Cable
Telecommunications
Engineers***

**ENGINEERING COMMITTEE
Interface Practices Subcommittee**

AMERICAN NATIONAL STANDARD

ANSI/SCTE 31 2016

Test Method for Measuring Diameter Over Core

Table of Contents

Title	Page Number
Table of Contents	2
NOTICE	3
1. SCOPE	4
2. DEFINITIONS	4
3. EQUIPMENT	4
4. TEST SAMPLES	5
5. MEASUREMENT OR TEST METHOD	5
6. Test Procedure	5

List of Figures

Title	Page Number
FIGURE 1 - TEST EQUIPMENT SETUP	4

NOTICE

The Society of Cable Telecommunications Engineers (SCTE) Standards and Operational Practices (hereafter called “documents”) are intended to serve the public interest by providing specifications, test methods and procedures that promote uniformity of product, interchangeability, best practices and ultimately the long term reliability of broadband communications facilities. These documents shall not in any way preclude any member or non-member of SCTE from manufacturing or selling products not conforming to such documents, nor shall the existence of such standards preclude their voluntary use by those other than SCTE members.

SCTE assumes no obligations or liability whatsoever to any party who may adopt the documents. Such adopting party assumes all risks associated with adoption of these documents, and accepts full responsibility for any damage and/or claims arising from the adoption of such documents.

Attention is called to the possibility that implementation of this document may require the use of subject matter covered by patent rights. By publication of this document, no position is taken with respect to the existence or validity of any patent rights in connection therewith. If a patent holder has filed a statement of willingness to grant a license under these rights on reasonable and nondiscriminatory terms and conditions to applicants desiring to obtain such a license, then details may be obtained from the standards developer. SCTE shall not be responsible for identifying patents for which a license may be required or for conducting inquiries into the legal validity or scope of those patents that are brought to its attention.

Patent holders who believe that they hold patents which are essential to the implementation of this document have been requested to provide information about those patents and any related licensing terms and conditions. Any such declarations made before or after publication of this document are available on the SCTE web site at <http://www.scte.org>.

All Rights Reserved

© Society of Cable Telecommunications Engineers, Inc. 2016
140 Philips Road
Exton, PA 19341

1. SCOPE

1.1 To document sample preparation, sample testing and test procedure for measurement of min, max, average core diameter of finished goods coaxial cable.

2. DEFINITIONS

2.1 CORE DIAMETER: The outside diameter of the laminated tape, as measured after the jacket and braids have been removed from the coaxial cable.

2.2 CORE OVALITY: The difference between the maximum core diameter and the minimum core diameter. This is the commonly used measurement in SCTE standards. However, it may be expressed in other ways such as percentage variation.

3. EQUIPMENT

3.1. Optical micrometer: LaserMike Model 182 or equivalent

3.2. Printer (optional).

3.3. Wire cutters.

3.4. Rotating chuck, large O.D. chuck.

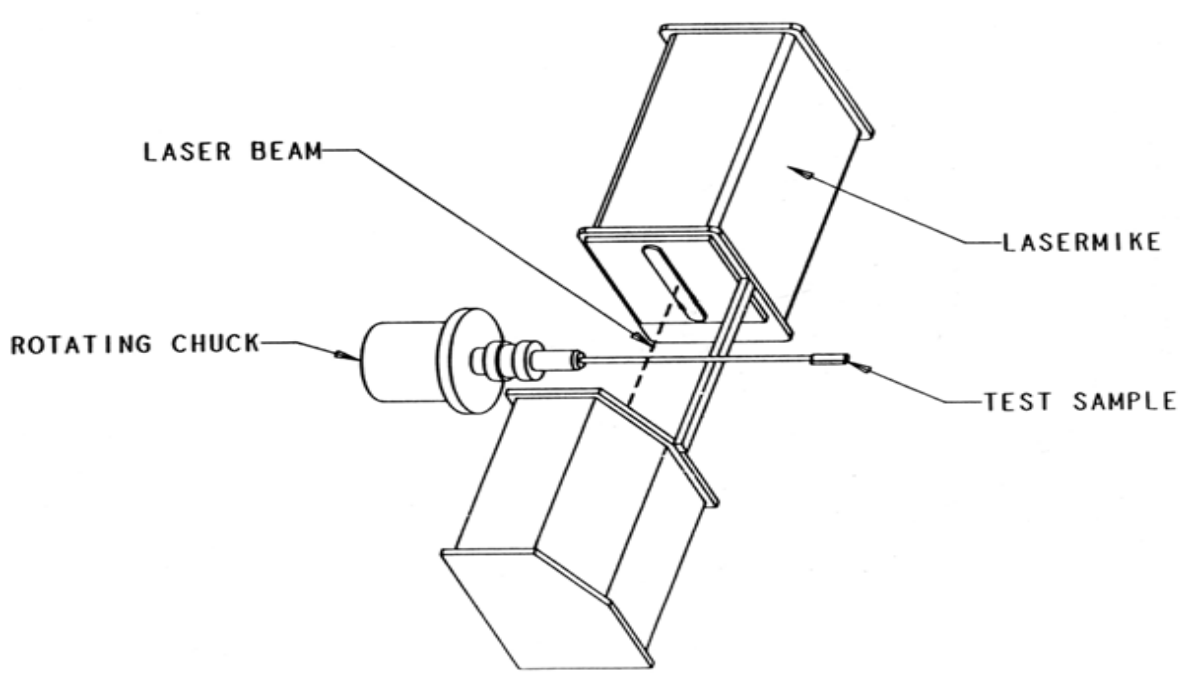


Figure 1 – Test Set-up

4. TEST SAMPLES

- 4.1. Cut a 4” sample of finished product.
- 4.2. Strip jacket and braid off of the sample, leaving on the tape, core and conductor. Special care must be exercised during removal of jacket and braid to avoid deforming the LST tape.
- 4.3. Using a razor blade or a prep tool remove 5/16” of the core from the center conductor.

5. MEASUREMENT OR TEST METHOD

5.1 Test Equipment Setup. See Figure 1.

- 5.1.1 At the beginning of the test, set the optical micrometer to reach one hundred-twenty (120) readings per 360 degrees rotation at 0.5 RPM. Refer to the optical micrometer operation manual for details.
- 5.1.2 If available, verify that the printer is connected to the micrometer printer port.
- 5.1.3 Verify the laser micrometer is set to display or output the average, maximum and minimum diameter. The unit may also be programmed to display difference between the maximum & minimum readings. Refer to Laser Micrometer operation manual for details.

6. Test Procedure

- 6.1 Insert the center conductor into the rotating chuck as far as possible. It is important to ensure a straight test specimen.
 - 6.1.1 Verify that the CUT is centered in the chuck jaws and the sample is straight.
 - 6.1.2 Verify the test sample is at proper position to the laser beam.
 - 6.1.3 Push the “start” button or its equivalent.
 - 6.1.4 Wait for the rotating chuck to complete its cycle and let the sample come to a complete stop.
 - 6.1.5 Test result should appear on the laser micrometer display. Record the average, maximum, minimum and difference, if available, or obtain a printout of the test results. Refer to the optical micrometer operation manual.